

NEW



The smallest and most compact rotary screw compressor



2.2 kW

MiniORION

RELIABLE, COMPACT, SILENT

MiniORION is the new oil-lubricated coaxial compressor with direct starter, the smallest of the entire NUAIR screw range.

The small size of the air-end/motor connection system allows the machine to maintain an extremely small footprint.

Furthermore, thanks to its extreme quietness, only 65 dB(A), it can be placed near any operating environment.

MiniORION is available in the floor mounted version or on a painted or galvanised 90-litre tank

Shock-resistant, thermoformed protective cover

Intake regulator

Oil filter

Air-end

Separator block

Oil separator tank

Oil drain

Optional heater: prevents the formation of condensate, maintaining an adequate oil temperature during the standby phase of the compressor.

LOGIN ZERO controller

Radial fan

Electric cabin

ONLY 1060 mm HIGH

less than 1m³



2-YEAR WARRANTY on the controller and air-end

LOGIN ZERO

Multi-function controller with 5-digit LED display

Measures and displays:

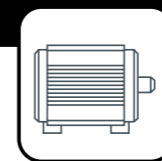
- Compressor status (stand-by, idle, loaded, off).
- Operating temperature.
- Operating pressure.
- Total working hours and load hours.
- Remaining hours for maintenance.
- Alarm management (motor thermal overload, fan thermal overload, oil temperature values) with dedicated LED signalling.
- Auto-restart after power failure.
- Integrated digital phase sequence control.



only 65 dB(A)



easy to transport



2.2 kW



8-10 Bar



continuous duty

EFFICIENT AND COST-EFFECTIVE

MiniORION is designed for continuous operation in industrial applications. The coaxial transmission, with the air-end directly connected to the electric motor without any flexible coupling, ensures the best transmission efficiency. The three-phase versions are equipped with an IE3 energy efficiency class motor. The FS14 air-end ensures minimum pressure losses, providing considerable energy savings and low operating and maintenance costs.

EASY TO TRANSPORT

MiniORION is handy and easy to move, thanks to the 2 sides handles (only floor mounted version) and the forklift or pallet truck pre-arrangement at the bottom of the tank.

SIMPLIFIED MAINTENANCE

All internal components are easily accessible, making routine maintenance fast and simple to perform.

PLUG&PLAY

MiniORION is ready for use: it is supplied already equipped with RotarECOFLUID mineral oil

Air filter

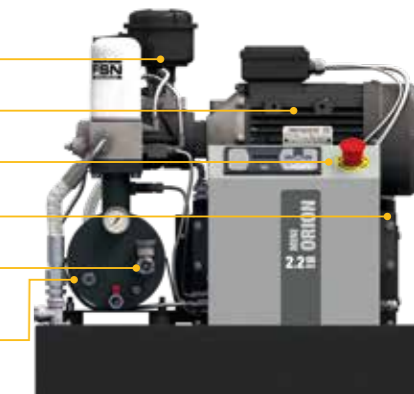
Electric motor

Emergency button

Heat exchanger

Oil level display

Heater arrangement (as optional)



MiniORION

Code	Air receiver	Power	Power supply	Air outflow rate			Max. pressure	Sound level	Connection	Net weight	Net dimensions	Gross weight	Gross dimensions			
	l	KW	HP	V/Ph/Hz	l/min.	m³/min.	c.f.m.	bar	p.s.i.	dB(A)	Ø	kg	L x W x H (mm)	kg	L x W x H (mm)	
FLOOR MOUNTED																
MiniORION 2.2-08	V51PC72N1N017	-	2.2	3	400/3/50	292	0.29	10.3	8	116	65	1/2"	68	780x460x600	79	840x540x790
MiniORION 2.2-08 M	V51PC60N1N017	-	2.2	3	230/1/50	292	0.29	10.3	8	116	65	1/2"	68	780x460x600	79	840x540x790
MiniORION 2.2-10	V51PK72N1N017	-	2.2	3	400/3/50	261	0.26	9.2	10	145	65	1/2"	68	780x460x600	79	840x540x790
MiniORION 2.2-10 M	V51PK60N1N017	-	2.2	3	230/1/50	261	0.26	9.2	10	145	65	1/2"	68	780x460x600	79	840x540x790
PAINTED TANK																
MiniORION 2.2-08-90	V72PC72N1N044	90	2.2	3	400/3/50	292	0.29	10.3	8	116	65	1/2"	104	730x460x1060	116	840x540x1340
MiniORION 2.2-08-90 M	V72PC60N1N044	90	2.2	3	230/1/50	292	0.29	10.3	8	116	65	1/2"	104	730x460x1060	116	840x540x1340
MiniORION 2.2-10-90	V72PK72N1N044	90	2.2	3	400/3/50	261	0.26	9.2	10	145	65	1/2"	104	730x460x1060	116	840x540x1340
MiniORION 2.2-10-90 M	V72PK60N1N044	90	2.2	3	230/1/50	261	0.26	9.2	10	145	65	1/2"	104	730x460x1060	116	840x540x1340
GALVANIZED TANK																
MiniORION 2.2-08-90 Z	V72PC72N1NZ01	90	2.2	3	400/3/50	292	0.29	10.3	8	116	65	1/2"	104	730x460x1060	116	840x540x1340
MiniORION 2.2-08-90 M Z	V72PC60N1NZ01	90	2.2	3	230/1/50	292	0.29	10.3	8	116	65	1/2"	104	730x460x1060	116	840x540x1340
MiniORION 2.2-10-90 Z	V72PK72N1NZ01	90	2.2	3	400/3/50	261	0.26	9.2	10	145	65	1/2"	104	730x460x1060	116	840x540x1340
MiniORION 2.2-10-90 M Z	V72PK60N1NZ01	90	2.2	3	230/1/50	261	0.26	9.2	10	145	65	1/2"	104	730x460x1060	116	840x540x1340

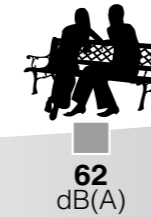
M = SINGLE PHASE, Z = GALVANIZED TANK
Reference conditions: air intake temperature 20°C (68°F) – atmospheric pressure 1 bar (14.5 p.s.i.).
Air flow was measured in the following operative pressures: 7.5 bar for models at 8 bar - 9.5 bar for models at 10 bar.
The data and results were measured in accordance with standard ISO 1217.
The sound level was measured in accordance with standard ISO 3744.

LOW NOISE LEVEL

The new MiniORION models are available with power of 2.2 kW and noise level of only 65 dB(A). The machine has extremely compact and balanced dimensions, even in the tank-mounted version.



40 dB(A)



62 dB(A)



65 dB(A)



OTHER BRANDS
66-77 dB(A)



100 dB(A)

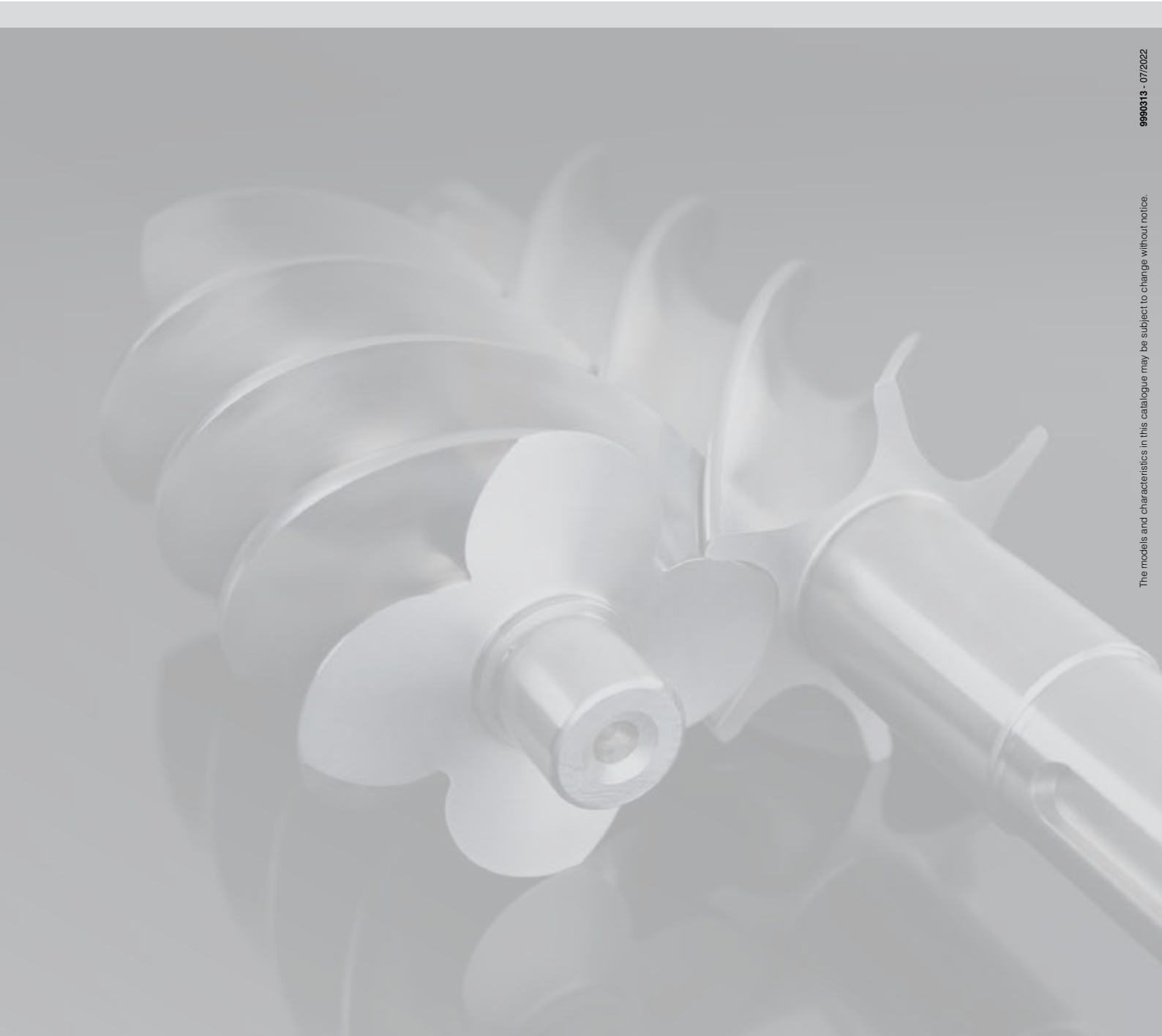


120 dB(A)



We believe in it so much that we guarantee it for 5 years!

The "Trust" warranty can be easily extended online through EasyConnect, the new NUAIR service portal specially created to simplify customers' lives by providing them with quick, clear responses about product availability, order management, and goods shipping times.



99900313 - 07/2022

The models and characteristics in this catalogue may be subject to change without notice.

FNA S.p.A. Via Einaudi, 6 - 10070 Robassomero - Torino - Italy
T: +39 011 92 33 000 - F: +39 011 92 41 138
info@fnacompressors.com - www.fnacompressors.com

follow us on:



a brand of



www.nuair.it