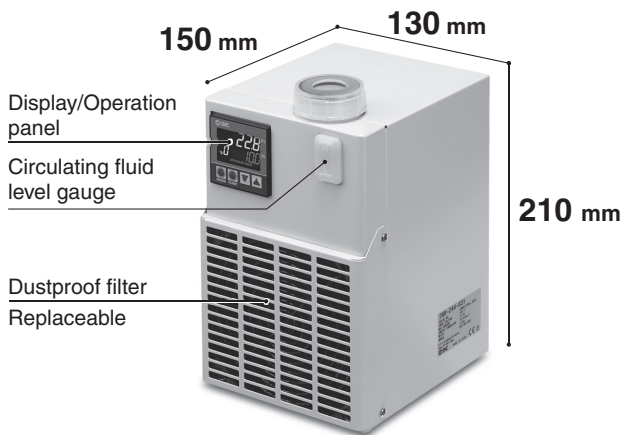


# Peltier-type Chiller Thermo-con/ Compact Type **Air-cooled**



- Compact, Space saving
- Refrigerant-free
- Low-noise design: 45 dBA  
(When selecting an option)
- Cooling capacity: 220 W
- Temperature stability:  
 $\pm 0.01$  to  $0.03$  °C
- Set temperature range:  
10 °C to 60 °C
- Fluid contact material:  
**Stainless steel, Resin**  
(Aluminium and copper material-free)



## How to Order

**INR-244-831-**

Option

—	None
X125	High pressure pump
X126	Low noise fan
X127	High pressure pump Low noise fan

## Specifications

<b>Cooling method</b>		Thermoelectric device (Thermo-module)
<b>Radiating method</b>		Forced air cooling
<b>Control method</b>		Cooling/Heating automatic shift PID control
<b>Ambient temperature</b>		10 to 35 °C
<b>Circulating fluid system</b>	<b>Circulating fluid</b>	Tap water, Ethylene glycol aqueous solution (20 % or less)
	<b>Set temperature range</b>	10.0 to 60.0 °C (No condensation)
	<b>Cooling capacity</b>	220 W (Tap water)*1
	<b>Heating capacity</b>	500 W (Tap water)*1
	<b>Temperature stability</b>	$\pm 0.01$ to $0.03$ °C*2
	<b>Pump capacity</b>	Refer to the performance charts.
	<b>Tank capacity</b>	Approx. 110 mL
<b>Electrical system</b>	<b>Port size</b>	Rc1/4
	<b>Fluid contact material</b>	Stainless steel, EPDM, NBR, Ceramics, PPE, PPS, Carbon, PP, POM
	<b>Power supply</b>	24 VDC $\pm 10$ %
<b>Power consumption</b>		12.5 A
<b>Communications</b>		RS-485
<b>Weight</b>		Approx. 4.5 kg
<b>Noise level</b>		Approx. 58 dBA (Low noise fan (Option): 45 dBA)
<b>Accessories</b>		Power supply cable (1 m), Operation Manual (The 24 VDC power supply should be prepared by the user.)
<b>Safety standards</b>		CE marking, UL (NRTL) standards

\*1 Conditions: Set temperature 25 °C, Ambient temperature 25 °C, Circulating flow rate 1 l/min (For options, refer to the performance charts.)

\*2 The indicated values are when there is a stable load without turbulence. It may be out of this range depending on the operating conditions.

# INR-244-831

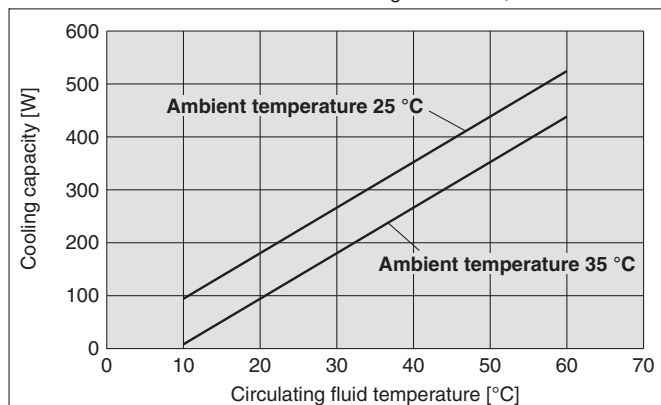


20-EU765-UK

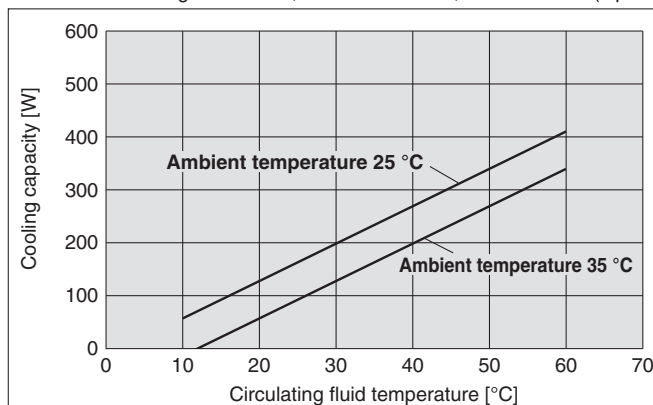
# INR-244-831

## Cooling Capacity

Circulating fluid: Water, Flow rate: 1 l/min



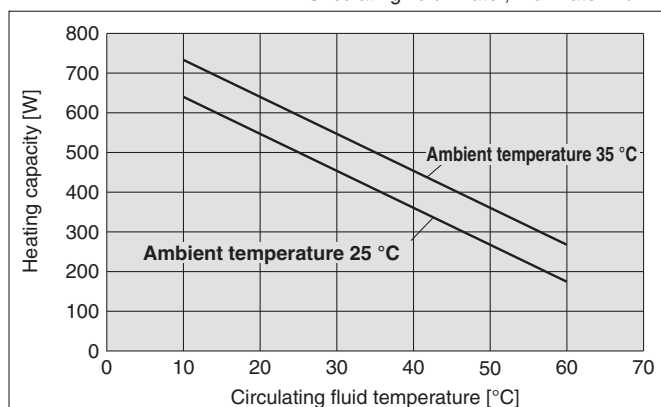
Circulating fluid: Water, Flow rate: 1 l/min, Low noise fan (Option)



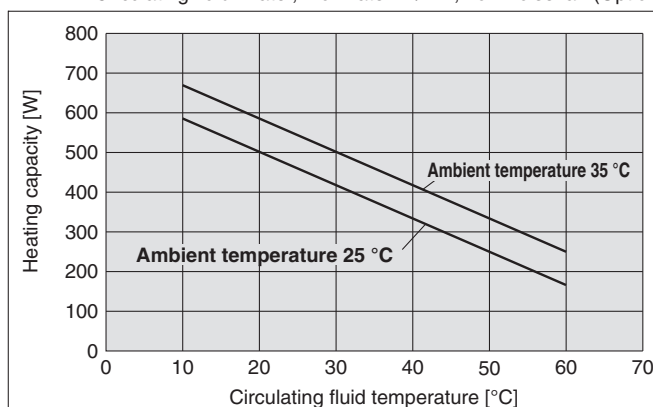
\* For the high pressure pump (Option), the cooling capacity decreases by approx. 20 W.

## Heating Capacity

Circulating fluid: Water, Flow rate: 1 l/min



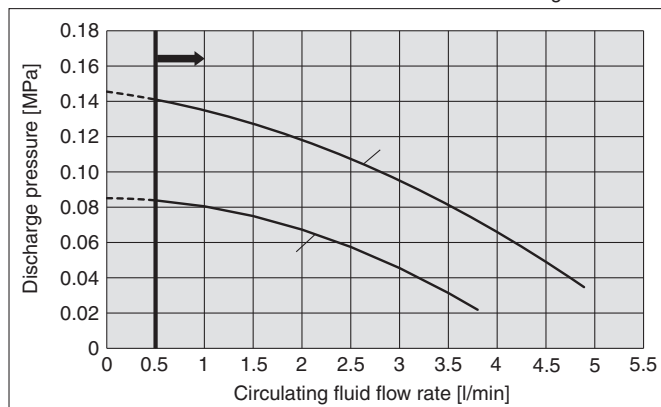
Circulating fluid: Water, Flow rate: 1 l/min, Low noise fan (Option)



\* For the high pressure pump (Option), the heating capacity increases by approx. 10 W.

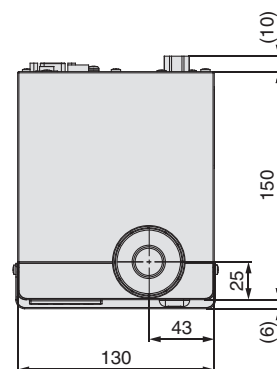
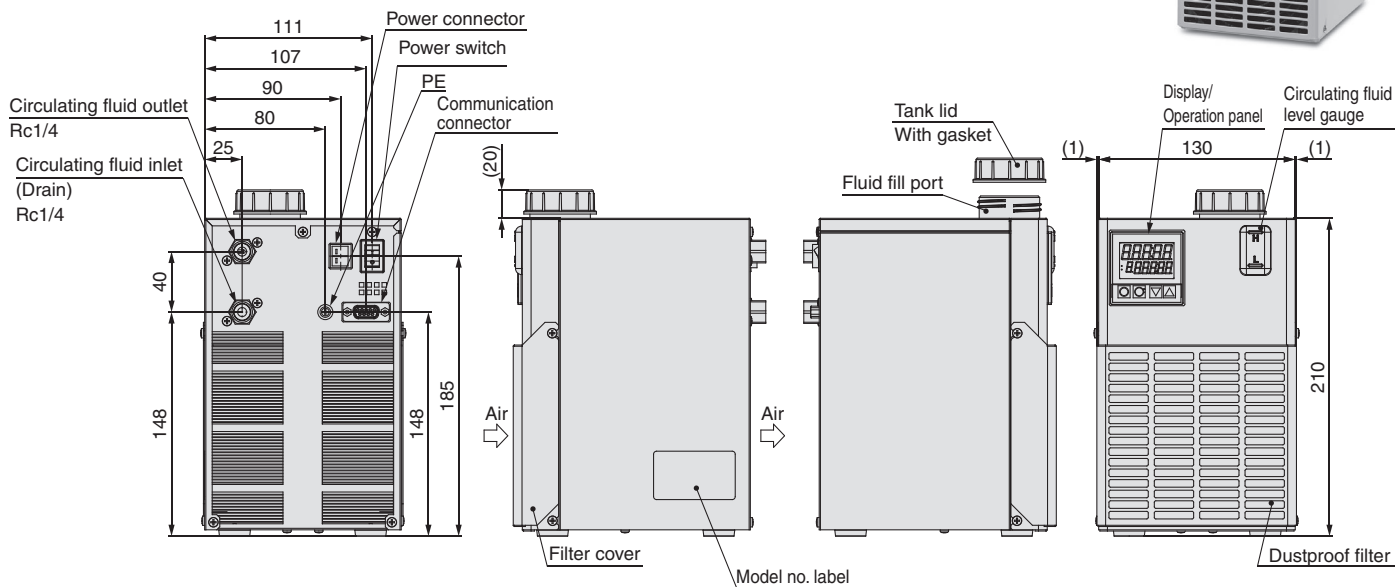
## Pump Capacity (Thermo-con Outlet)

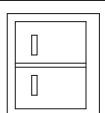
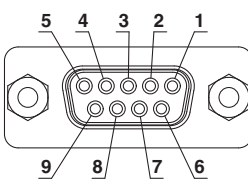
Circulating fluid: Water



# Peltier-type Chiller Thermo-con/Compact Type Air-cooled **INR-244-831**

## Dimensions



Connector name	No.	Signal contents	Connector type/Part no.
Power connector	1	24 VDC +	 J.S.T. Mfg. Co., Ltd. JFA connector J4000 series SC02B-J42SK-GHXR
	2	24 VDC -	
Communication connector	1	RS-485 BUS +	 D-sub 9 pin (socket type) Holding screw: M2.6
	2-8	Unused	
	9	RS-485 BUS -	



**SMC Corporation (Europe)**

<b>Austria</b>	+43 (0)2262622800	www.smc.at	office@smc.at
<b>Belgium</b>	+32 (0)33551464	www.smc.be	info@smc.be
<b>Bulgaria</b>	+359 (0)2807670	www.smc.bg	office@smc.bg
<b>Croatia</b>	+385 (0)13707288	www.smc.hr	office@smc.hr
<b>Czech Republic</b>	+420 541424611	www.smc.cz	office@smc.cz
<b>Denmark</b>	+45 70252900	www.smc.dk.com	smc@smcdk.com
<b>Estonia</b>	+372 6510370	www.smc.pneumatics.ee	info@smcee.ee
<b>Finland</b>	+358 207513513	www.smc.fi	smc.fi@smc.fi
<b>France</b>	+33 (0)164761000	www.smc-france.fr	info@smc-france.fr
<b>Germany</b>	+49 (0)61034020	www.smc.de	info@smc.de
<b>Greece</b>	+30 210 2717265	www.smc.hellas.gr	sales@smchellas.gr
<b>Hungary</b>	+36 23513000	www.smc.hu	office@smc.hu
<b>Ireland</b>	+353 (0)14039000	www.smc.automation.ie	sales@smcautomation.ie
<b>Italy</b>	+39 03990691	www.smc.italia.it	mailbox@smc.italia.it
<b>Latvia</b>	+371 67817700	www.smc.lv	info@smc.lv

<b>Lithuania</b>	+370 5 2308118	www.smc.lt	info@smclt.lt
<b>Netherlands</b>	+31 (0)205318888	www.smc.nl	info@smc.nl
<b>Norway</b>	+47 67129020	www.smc-norge.no	post@smc-norge.no
<b>Poland</b>	+48 222119600	www.smc.pl	office@smc.pl
<b>Portugal</b>	+351 214724500	www.smc.eu	apoioclientept@smc.smces.es
<b>Romania</b>	+40 213205111	www.smcromania.ro	smcromania@smcromania.ro
<b>Russia</b>	+7 8123036600	www.smc.eu	sales@smcru.com
<b>Slovakia</b>	+421 (0)413213212	www.smc.sk	office@smc.sk
<b>Slovenia</b>	+386 (0)73885412	www.smc.si	office@smc.si
<b>Spain</b>	+34 945184100	www.smc.eu	post@smc.smces.es
<b>Sweden</b>	+46 (0)86031200	www.smc.eu	smc@smc.nu
<b>Switzerland</b>	+41 (0)523963131	www.smc.ch	helpcenter@smc.ch
<b>Turkey</b>	+90 212 489 0 440	www.smc.pnomatik.com.tr	info@smcpnomatik.com.tr
<b>UK</b>	+44 (0)845 121 5122	www.smc.uk	sales@smc.uk